

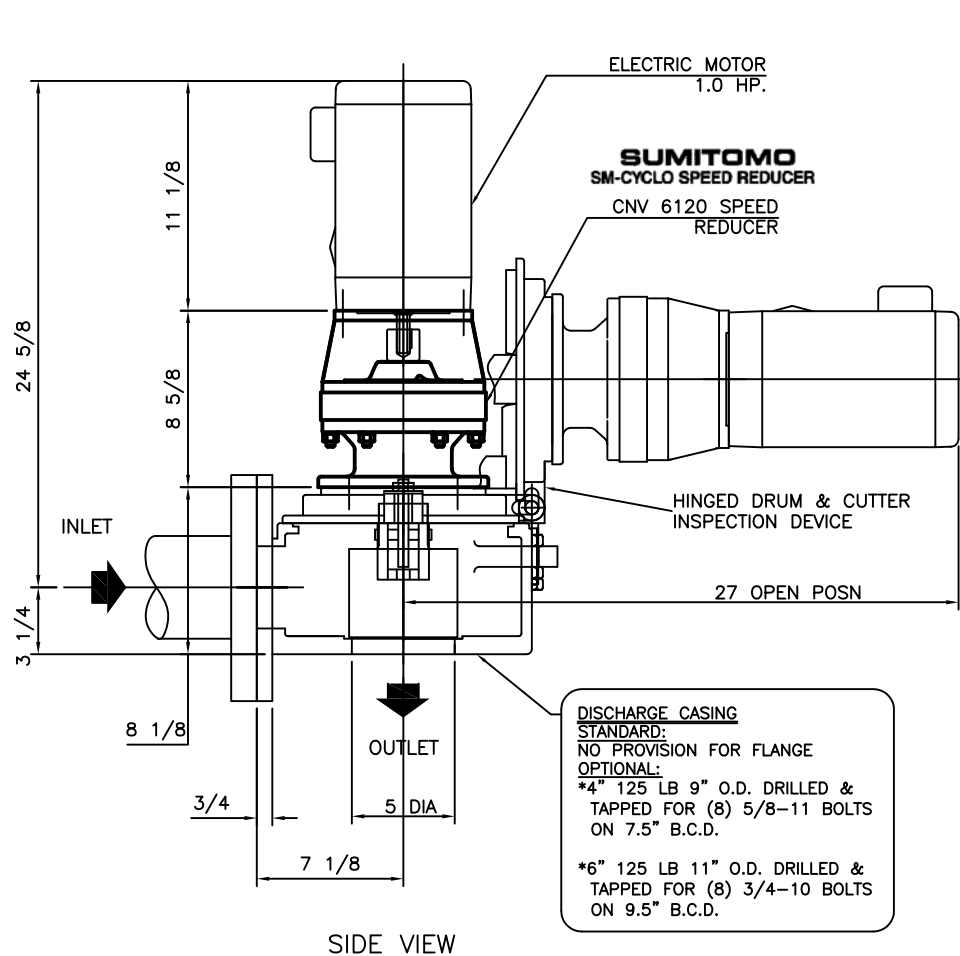


RELEASE EYEBOLTS  
SECURING COVER  
AND  
SWING CUTTING  
MECHANISM CLEAR  
OF CASING  
FOR INSPECTION  
AND MAINTENANCE

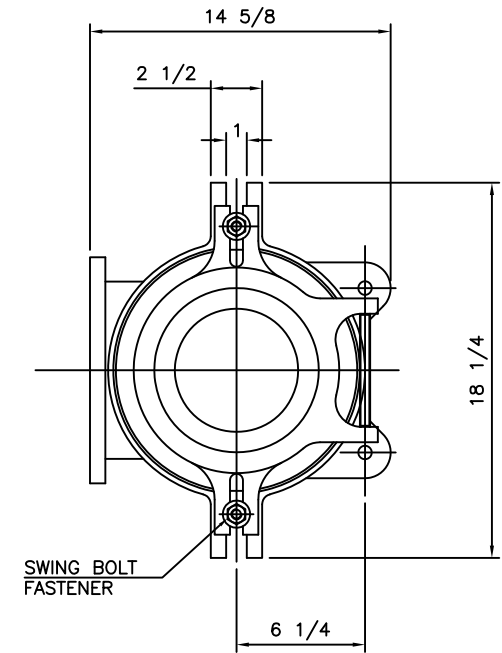
# MODEL 5A **HD** HEAVY DUTY

FREE DISCHARGE

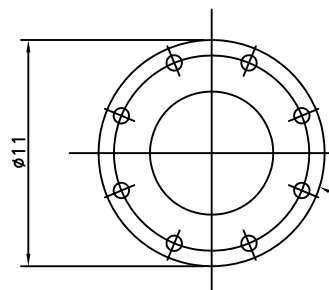
SERIAL No. X



SIDE VIEW



TOP VIEW



INLET FLANGE DETAIL

## MATERIALS OF CONSTRUCTION & GENERAL ENGINEERING DATA

HOUSING:	GREY IRON	CAPACITY	130 GPM (US) / 8.2 L/s	INLET AREA	13 SQ IN	83.9 cm sq
DRUM (SCREEN):	DUCTILE IRON (ASTM 536 GRADE 60-45-18)	DRUM SPEED	50 RPM	OUTLET AREA	8 SQ IN	51.6 cm sq
SHEAR BARS:	AISI-A2 HIGH ALLOY TOOL STEEL	ROTATION	C / CLOCKWISE	DRUM DIAMETER	5.3 IN	13.5 cm
CUTTING BARS:	AISI-01 TOOL STEEL REVERSIBLE	SLOT WIDTH	.470 IN / 12 mm	WEIGHT	170 LB	77 kg
HARDWARE & FASTENERS:	304 STAINLESS STEEL	No. OF SLOTS	12			
MOTOR MANUFACTURER:		POWER:	/ 3 / 60	RPM:	1750	REDUCER: SM - CYCLO
STYLE: TEFC (IP55)	HP: 1.0	KW: 0.746	FRAME: 56C	FLANGE: 'C'		MODEL: V6120
						RATIO: 35:1
						RATING: 4.27 HP

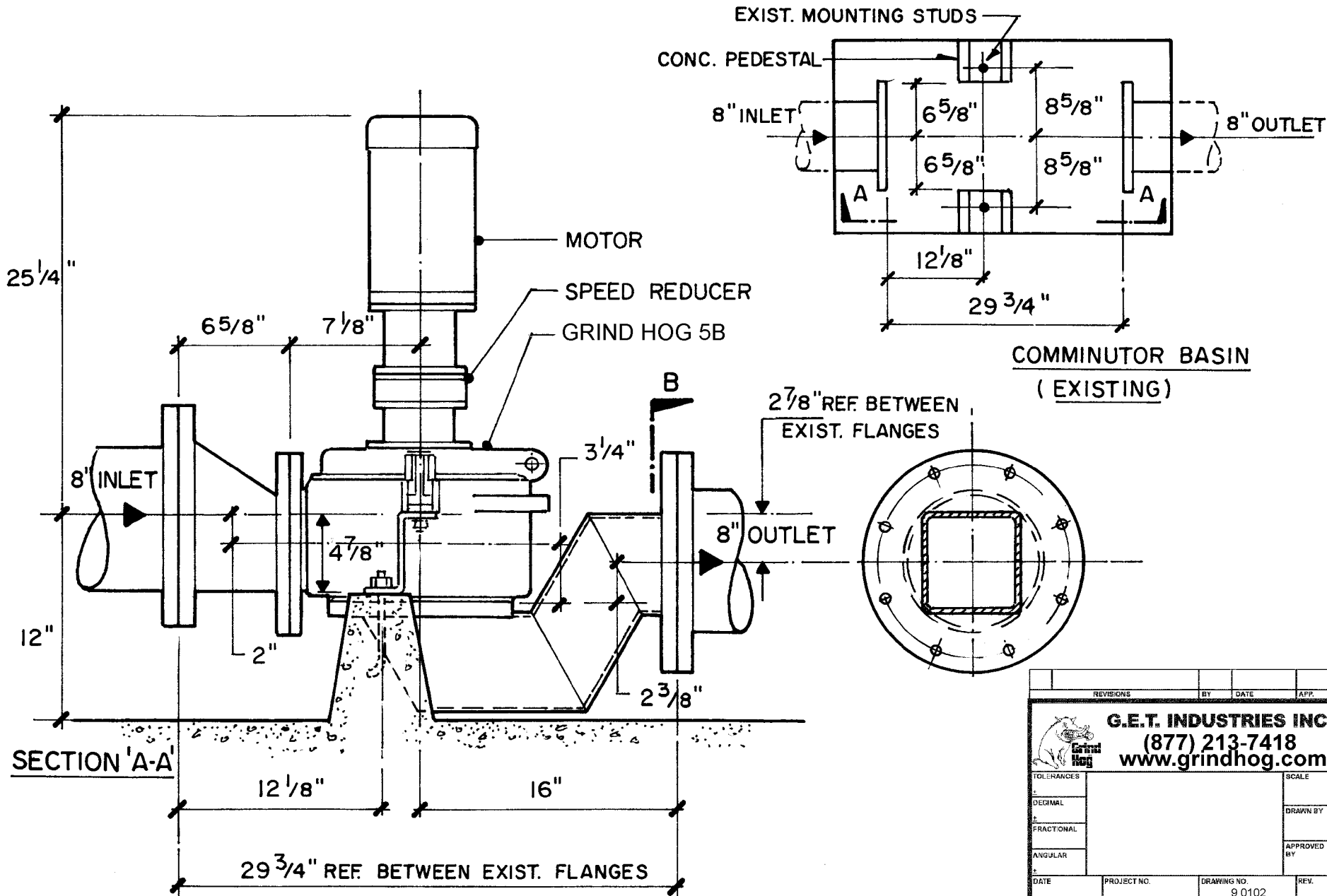
**G.E.T. INDUSTRIES INC.**  
get@grindhog.com  
www.grindhog.com  
1 (877) 213-7418



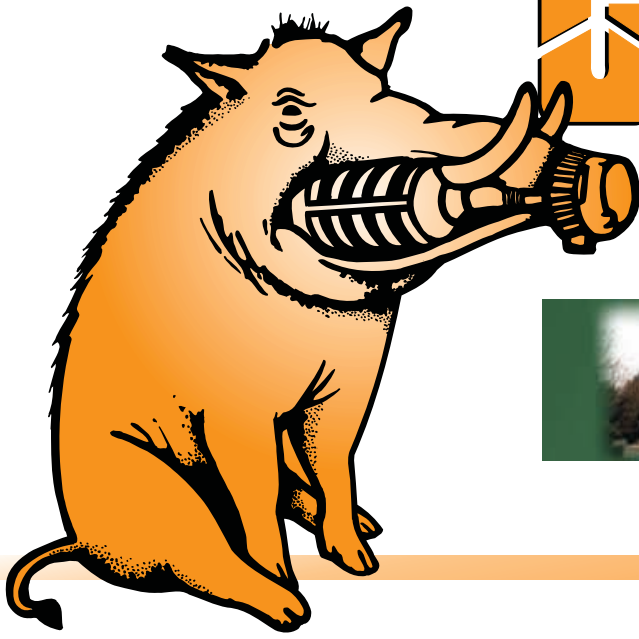
<b>TOLERANCES</b>	INFO.	<b>SCALE</b>
<b>DECIMAL</b>	INFO.	NTS
<b>FRACTIONAL</b>	INFO.	<b>DRAWN BY</b>
<b>ANGULAR</b>	INFO.	G.P.
	Dimensional Detail	<b>APPROVED BY</b>
		W.D.M.
<b>DATE</b>	<b>FILE NO.</b>	<b>DWG. No.</b>
		6 0010, 9 0058 & 9 0200
		<b>REV.</b>

# Grind Hog MODEL 5B-8 (CAPACITY: 130 GPM)

## REPLACEMENT OF WORTHINGTON MODEL 7



REVISIONS	BY	DATE	APP.
<b>G.E.T. INDUSTRIES INC.</b> (877) 213-7418 www.grindhog.com			
TOLERANCES			SCALE
DECIMAL			DRAWN BY
FRACTIONAL			APPROVED BY
ANGULAR			
DATE	PROJECT NO.	DRAWING NO.	REV.
		9 0102	



# Grind Hog<sup>TM</sup>

RETROFIT



Sheridan, Oregon



WORTHINGTON MODEL 7



GRIND HOG<sup>TM</sup> MODEL 5A **HD** HEAVY DUTY

**G.E.T. INDUSTRIES INC.**

Toll Free: (877) 213-7418 ♦ E-mail: [get@grindhog.com](mailto:get@grindhog.com) ♦ Web: [www.grindhog.com](http://www.grindhog.com)





**WORTHINGTON MODEL 7 & EXISTING SPLITTER BOX**



**GRIND HOG™ MODEL 5A *HD*<sup>HEAVY DUTY</sup>**  
**WITH NEWLY FABRICATED SPLITTER BOX**